



Cod.1099/386

2MP 25X Starlight IR POE AI PTZ Camera

TECHNICAL FEATURES

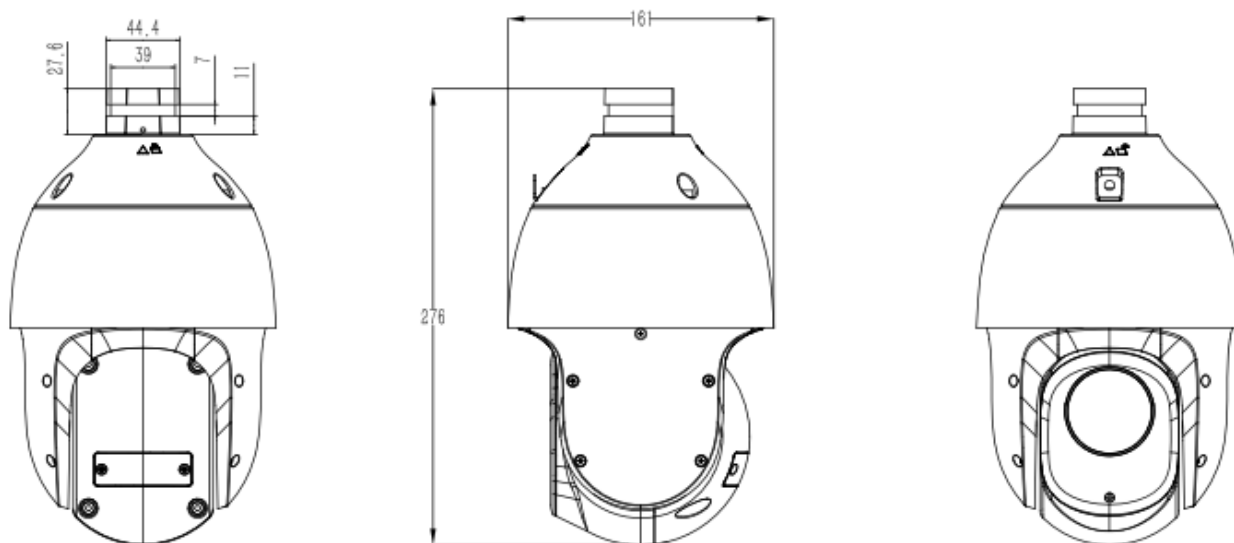
- Up to 1920x1080@30fps
- Min. illumination Color: 0.001Lux@F1.5
- Optical zoom: 25X digital zoom 16X
- Smart IR, IR Range: 150m
- Support Human/Vehicle Classification
- Support Auto-tracking
- S+265/H.265/H.264/M-JPEG
- Intelligent monitoring/ Face Capture mode
- IP66

Camera	
Image Sensor	1/2.8" CMOS
Signal System	PAL/NTSC
Min. Illumination	Color: 0.001lux@ (F1.5, ACG ON), BW: 0lux with IR
Shutter Time	1s to 1/100,000s
Day & Night	IR Cut Filter with Auto Switch
Wide Dynamic Range	Yes
Optical Zoom	25X
Digital Zoom	16X
Lens	
Focal Length	4.8mm~120mm
Zoom Speed	<4s
Angle of View	Horizontal: 58.5° (w)~2.8° (t) Vertical: 33.2° (w)~1.5° (t) Diagonal field of view: 65.2°(w)~3.3° (t)
Aperture Range	F1.5~F3.8
Focus Control	Auto/Manual
Iris Control	Control Auto
Close Focus Distance	1 m~1.5 m
Pan&Tilt	
Pan Range	360°
Pan Speed	Pan Manual Speed: 0.1°~200°/s, Pan Preset Speed: 240°/s
Tilt Range	-16°~90° (Auto flip)
Tilt Speed	Tilt Manual Speed: 0.1°~120°/s, Tilt Preset Speed: 180°/s
3D Position	Yes
Presets	500
Preset Accuracy	±0.4°
Scan	8
Cruise	16, up to 32 presets per cruise
Pattern	8, each with 600s memory or 1000 orders
Power-off Memory	Yes
Illuminator	
IR LEDs	6
IR Range	Up to 150m
IR Irradiation Angle	Adjustable by Zoom
Compression Standard	
Video Compression	S+265/H.265/H.264/M-JPEG
Video Bit Rate	32Kbps~16Mbps
Audio Compression	G.711A/G.711U/ADPCM_D/AAC_LC
Audio Bit Rate	8K ~ 48Kbps
Image	
Max. Resolution	2MP (1920×1080)
Main Stream	PAL: 25fps (1920x1080, 1280x720, 704x576, 640x480) NTSC: 30fps (1920x1080, 1280x720, 704x480, 640x480)
Sub Stream	PAL: 25fps (704×576, 704×288, 640×360, 352×288) NTSC: 30fps (704×480, 704×240, 640×360, 352×240)
Third Stream	PAL: 25fps(352×288) NTSC: 30fps (352×240)
Image Setting	Saturation, brightness, contrast, sharpness, adjustable by client software or web browser
Image Enhancement	BLC, 2D/3D DNR/HLC, AGC
ROI	7 Dynamic Areas for Both Main and Sub Stream, support 1 auto-tracking ROI
OSD	16×16, 24×24,32×32, 48×48, 64×64, 96×96, adaptable size, Letters Such as Week, Date, Time, Total 5 Regions
Picture Overlay	Yes
Privacy Mask	Yes
Smart Defog	Yes

Feature	
Alarm Trigger	Motion Detection, Mask Alarm, Network Disable Alarm, IP Conflict, MAC Conflict Detection
Video Analytics	Tripwire, Double Tripwire, Perimeter, Object Abandon, Object Lost, Loitering, Running, Heatmap, On Duty Detection, Video Abnormal, Audio Abnormal, Face Capture
Early Warning(EW)	N/A
Auto-Tracking	Yes
Face Detection and Analytics	
Operating Mode	Face capture, intelligent monitoring optional, default intelligent monitoring
Face Detection Performance	Detects up to 32 faces at the same scene
Face Exposure Brightness	Default 35, 1~100 brightness optional
Min. Face Pixel	Default 80, 19~1920 optional
Network	
Protocols	HTTP/HTTPS/TCP/UDP/UPnP/SNMP/DHCP/DNS/DDNS/Easy/DDNS/NTP/SMTP/SSL/802.1X/QoS/IPv4/IPv6/PPPOE/SSH/Unicast/Multicast/RTMP/RTP/RTSP/NFS/SMB/CIFS/FTP
System Compatibility	ONVIF (PROFILE S/T/G/M), SDK, CGI, P2P
ANR	Auto store video in SD card when NVR disconnected, and upload video to NVR when resumed connection
Remote Connection	7
Client	Neius Control
Web Version	web6
Interface	
Communication Interface	1 RJ45 10M/100M self adaptive Ethernet port
Audio	1/1
Alarm	1/1
Speaker	N/A
Reset Button	Yes
On-board storage	Built-in Micro SD card slot, up to 512 GB
General	
Web Client Language	17 languages Simple Chinese/ Traditional Chinese/ English/ Spanish/ Korean/ Italian/ Turkish/ Russian/ Thai/French/ Polish/ Dutch/Hebraism/ Arabic/ Vietnamese/ German/ Ukrainian
Operating Conditions	-30°C~65°C (IR OFF), -30°C ~40°C (IR ON), 0-95%RH
Power Supply	DC12V±10%/POE+(IEEE802.3 at)
Power Consumption	9W(IR OFF), 22W(IR ON)
Protection	IP66 , TVS 6000V lightning protection, surge protection and voltage transient protection
Heater	N/A
Dimensions	Φ161x276mm
Weight	3kg

1099/386 2MP 25X Starlight IR POE AI PTZ Camera

DIMENSIONS (mm)



ACCESSORIES



**Wall Mount
Included**



3000/146
Junction box



3000/143
Pendant bracket



3000/147
Pole adapter



3000/145
Corner adapter

Technical specifications are subject to changes without notice.

Urmet S.p.A. | Via Bologna, 188/C | 10154 TORINO (ITALY)

T +39 011.24.00.000

info@urmet.com | urmet.com

CUSTOMER SERVICE +39 011.23.39.810